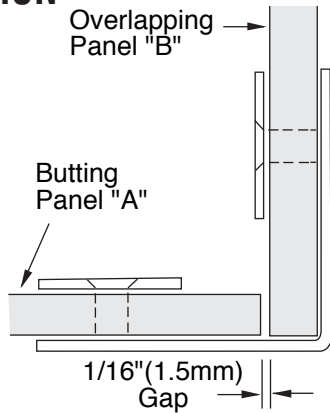




C.R. LAURENCE CO., INC.
PROFESSIONAL QUALITY

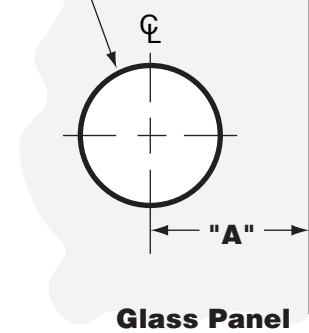
TYPICAL INSTALLATION

Important: Project measurements from the edge of the glass

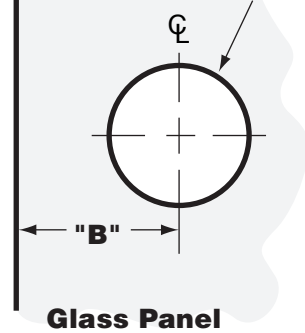


TEMPLATE OPTION FOR SQUARE CUT GLASS

3/4" (19mm) Diameter Hole



3/4" (19mm) Diameter Hole



Glass Thickness

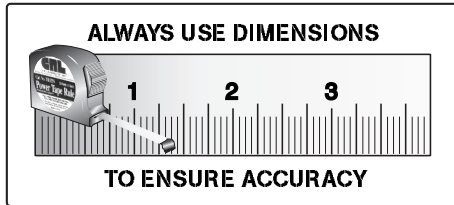
"A"* Measurement

"B"* Measurement

3/8" (10mm)
1/2" (12mm)

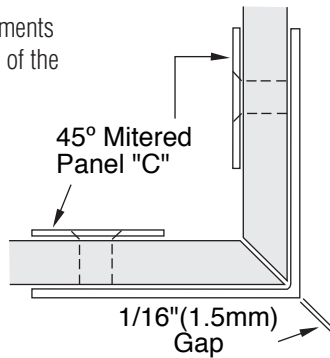
1-3/16" (30mm)
1-1/16" (27mm)

1-5/8" (41mm)
1-5/8" (41mm)



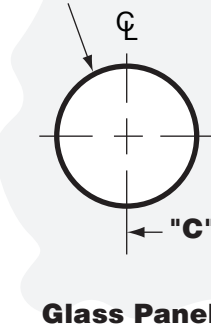
TYPICAL INSTALLATION

Important: Project measurements from the outside of the mitered glass.

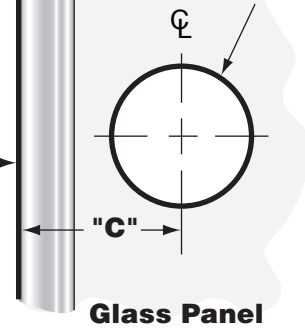


TEMPLATE OPTION FOR 45° MITERED GLASS

7/8" (22mm) Diameter Hole



7/8" (22mm) Diameter Hole



Glass Panel

Glass Panel

Outside Edge of Miter

Glass Thickness
3/8" (10mm)
1/2" (12mm)

"C"* Measurement
1-1/2" (38mm)
1-1/2" (38mm)

*From the Outside Edge of Miter

GLASS CLAMPS

The Template Options on This Page Apply to the Following Clamps:

90° Glass Clamp
(Glass-to-Glass Application)

CAT. No. BGC90

90° Glass Clamp

CAT. No. SGC90

C.R. Laurence Co., Inc.
crlaurence.com

For technical assistance in the United States call toll free (800) 421-6144; from Canada call toll free (877) 421-6144; Outside the U.S. and Canada call (323) 588-1281. Ask for Tech Sales at Extension 7740. Toll free fax (800) 458-7496.